

OVIA



Metal Halide Lighting



Rectangular Wallwash

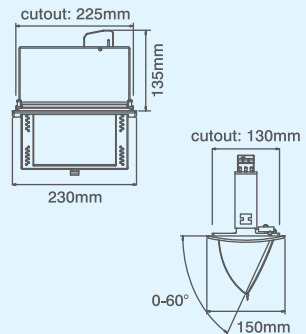
code	no. of lamps	lampholder type	max wattage	tilt	rotation
MH200*	1	RX7S	70W	0-60°	n/a
MH205*	1	RX7S	150W	0-60°	n/a

Supplied WITH Control Gear and Link Cable.

MI540*	1	RX7S	70W	0-60°	n/a
MI545*	1	RX7S	150W	0-60°	n/a

Heads ONLY, please choose appropriate Control Gear on next page.

Available Finishes (+)



Product Approvals
Complies with BS EN 60598.
Suitable for direct mounting on flammable surfaces.



Please add required finish on to the code e.g. **MH200SV**.

METAL HALIDE Electronic Control Gear



230V Electronic Metal Halide Control Gear

code	description	length (mm)	width (mm)	depth (mm)
CG435	1 X 35W	190	90	37
CG470	1 X 70W	190	90	37

500mm Link Cable (Terminating Control Gear to the Head)

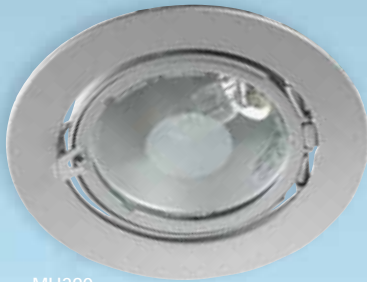
PC376	3 X 1.5mm rubber link cable pre-stripped 500mm long
-------	---

Manufactured to our stringent quality requirements.
Timed ignitor to protect the lamp.
35W, 70W and 150W for use with conventional Metal Halide or Ceramic Arc lamps.
Electronic control gear runs one lamp.

Product Approvals

Complies with BS EN 60598.
Suitable for direct mounting on flammable surfaces.





MH290



MI449



Round Adjustable Downlighters

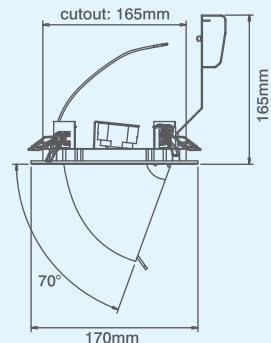
code	no. of lamps	lampholder type	max wattage	tilt	rotation
MH290*	1	G12/HR1-T	70W	70°	355°

Supplied WITH Control Gear and Link Cable.

MI449*	1	G12/HR1-T	70W	70°	355°
--------	---	-----------	-----	-----	------

Heads ONLY, please choose appropriate Control Gear on next page.

Available Finishes (+)



Product Approvals

Complies with BS EN 60598.
Suitable for direct mounting on flammable surfaces.



Please add required finish on to the code e.g. **MH290SV**.

METAL HALIDE Electronic Control Gear



230V Electronic Metal Halide Control Gear

code	description	length (mm)	width (mm)	depth (mm)
CG435	1 X 35W	190	90	37
CG470	1 X 70W	190	90	37

500mm Link Cable (Terminating Control Gear to the Head)

PC376 3 X 1.5mm rubber link cable pre-stripped 500mm long

Manufactured to our stringent quality requirements.
Timed ignitor to protect the lamp.
35W, 70W and 150W for use with conventional Metal Halide or Ceramic Arc lamps.
Electronic control gear runs one lamp.

Product Approvals

Complies with BS EN 60598.
Suitable for direct mounting on flammable surfaces.





Round Downlighters

code	no. of lamps	lampholder type	max wattage	tilt	rotation
MH100*	1	RX7S	70W	N/A	N/A
MH110*	1	RX7S	150W	N/A	N/A

Supplied WITH Control Gear and Link Cable.

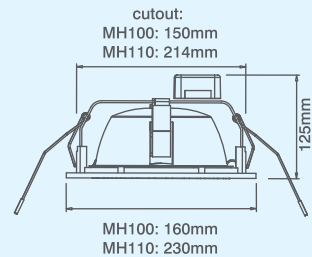
MI525*	1	RX7S	70W	N/A	N/A
MI535*	1	RX7S	150W	N/A	N/A

Heads ONLY, please choose appropriate Control Gear on next page.

Available Finishes (+)



White Silver



Product Approvals

Complies with BS EN 60598.
Suitable for direct mounting
on flammable surfaces.



Please add required finish on to the code e.g. **MI525WH**.



230V Electronic Metal Halide Control Gear

code	description	length (mm)	width (mm)	depth (mm)
CG435	1 X 35W	190	90	37
CG470	1 X 70W	190	90	37
CG500	1 X 150W	190	90	37

500mm Link Cable (Terminating Control Gear to the Head)

PC376 3 X 1.5mm rubber link cable pre-stripped 500mm long

Manufactured to our stringent quality requirements.
Timed ignitor to protect the lamp.
35W, 70W and 150W for use with conventional Metal Halide or Ceramic Arc lamps.
Electronic control gear runs one lamp.

Product Approvals

Complies with BS EN 60598.
Suitable for direct mounting on flammable surfaces.



